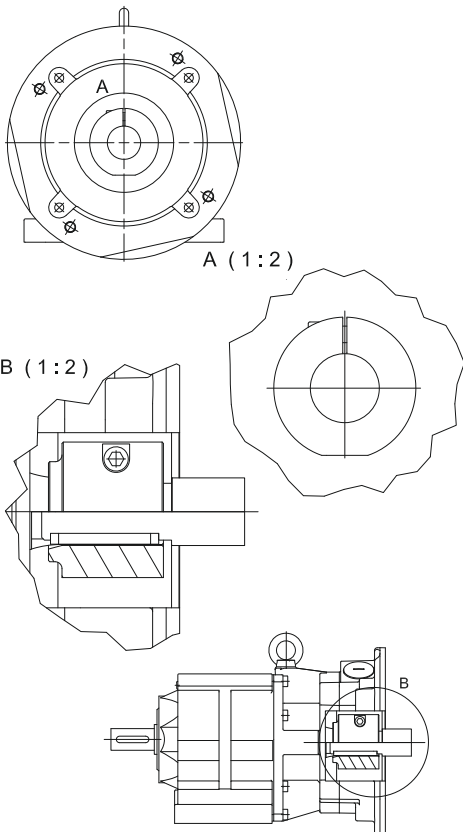


# Bauer Gear Units with C-Adapter for Standard Motor Connection

Simple and fast adaptation of standard motors

## Characteristics of the C-Adapter:

- Installation space optimised
- Adaptation of IEC standard motors
- Adaptation of NEMA standard motors
- Free backlash torque transmission between motor and gear unit
- Simple assembly and disassembly of the motors
- Protection enclosure IP 54 and IP 65
- According to ATEX standard
- Maintenance-free coupling



Bauer Gear Motors supplies modern drive solutions for all industry sectors where material must be moved.

Through their robustness, compact and efficient design the gear units from Bauer Gear Motors under the Boston Gear brand stand for long lifetime and powerful duty under hard working conditions.

The simple and cost effective installation, the minor service necessity and the high efficiency reduce costs throughout the whole life of the drive.

The C-adapter provides a cost effective and installation space optimised adaptation of standard IEC and NEMA motors.

Gear unit	Adaptable IEC motor sizes														Adaptable NEMA TC motor sizes											
	Type	56	63	71	80	90	100	112	132	160	180	200	225	250	280	56C	"143 145"	"182 184"	213	215	"254 256"	"284 286"	"324 326"	"364 365"	"404 405"	
BG04	x																									
BG05	x	x																								
BG06	x	x	x	x												x										
BG10		x	x	x	x											x	x									
BG15		x	x	x	x											x	x									
BG20		x	x	x	x											x	x									
BG30		x	x	x	x	x	x									x	x	x	x							
BG40			x	x	x	x	x									x	x	x	x							
BG50			x	x	x	x	x	x	x							x	x	x	x	x	x					
BG60					x	x	x	x	x								x	x	x	x	x					
BG70					x	x	x	x	x	x	x	x	x	x			x	x	x	x	x	x	x	x	x	x
BG80						x	x	x	x	x	x	x	x	x				x	x	x	x	x	x	x	x	x
BG90									x	x	x	x	x	x						x	x	x	x	x	x	x
BG100						x	x	x	x	x	x	x	x	x				x	x	x	x	x	x	x	x	x
BF06		x	x	x												x										
BF10		x	x	x	x											x	x									
BF20		x	x	x	x											x	x									
BF30		x	x	x	x	x	x									x	x	x	x							
BF40			x	x	x	x	x									x	x	x	x							
BF50			x	x	x	x	x	x	x							x	x	x	x	x	x					
BF60					x	x	x	x	x								x	x	x	x	x					
BF70					x	x	x	x	x	x	x	x	x	x			x	x	x	x	x	x	x	x	x	x
BF80						x	x	x	x	x	x	x	x	x				x	x	x	x	x	x	x	x	x
BF90						x	x	x	x	x	x	x	x	x				x	x	x	x	x	x	x	x	x
BK06	x	x	x	x												x										
BK10		x	x	x	x											x	x									
BK20		x	x	x	x											x	x									
BK30		x	x	x	x	x	x									x	x	x	x							
BK40			x	x	x	x	x									x	x	x	x							
BK50			x	x	x	x	x	x	x							x	x	x	x	x	x					
BK60					x	x	x	x	x								x	x	x	x	x					
BK70					x	x	x	x	x	x	x	x	x	x			x	x	x	x	x	x	x	x	x	x
BK80						x	x	x	x	x	x	x	x	x				x	x	x	x	x	x	x	x	x
BK90									x	x	x	x	x	x						x	x	x	x	x	x	x
BS02	x																									
BS03		x	x													x										
BS04	x	x																								
BS06	x	x	x	x												x										
BS10		x	x	x	x											x	x									
BS20		x	x	x	x											x	x									
BS30		x	x	x	x	x	x									x	x	x	x							
BS40			x	x	x	x	x									x	x	x	x							
BM09		x	x	x												x										

Bauer assumes no liability or responsibility for misprints and errors in catalogues, brochures and other printed documentation. Bauer reserves the right to make changes to products without prior notice, including to products that have already been ordered, unless contractual technical specifications are affected by such changes. All trademarks in these publications are the sole and exclusive property of the relevant companies. Bauer and the Bauer logo are trademarks of Bauer Gear Motor GmbH. All rights reserved.



**Bauer Gear Motor GmbH**  
 Eberhard-Bauer-Straße 36-60  
 73734 Esslingen  
 Germany  
 Tel.: +49 711 3518-0  
 Fax: +49 711 3518-381  
 www.bauergears.com